

## 110-Series Pushbutton Switches



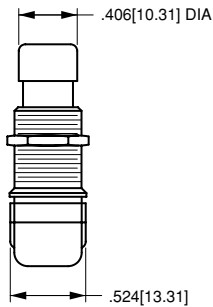
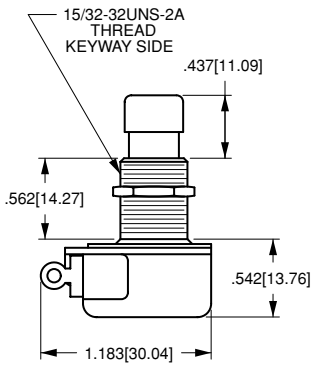
The 110-Series provides a compact yet rugged solution to general purpose switch needs. Alternate action, metal construction and stiff (6-8lb.) actuation force have combined to make this switch a pillar in the Music Industry and Audiovisual Markets. This versatile switch is available in maintained and momentary circuits with a variety of termination options.

**Dielectric Strength**  
 UL/CSA: 1000V - live to dead metal parts & opposite polarity

**Electrical Life**  
 25,000 cycles

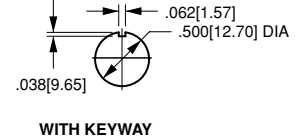
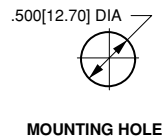
**Mechanical Life**  
 100,000 cycles

**Operating Temperature**  
 32°F to 185°F (0°C to 85°C)



NOTE:  
 KEYWAY  
 .072[1.82] X .038[.965] DP

SOLDER LUG	.250 TAB (Q.C.) (SPST only)	SOLDER LUG (bottom)
<b>TERMINAL TYPE</b>		
END TERMINAL	SCREW (ASSEMBLED) (SPST ONLY)	INTEGRATED WIRE LEAD (no exposed conductors)



# 110-P

<sup>1</sup>  
 Part Number

**1 PART NUMBER: SERIES/ACTUATOR/CIRCUITRY/RATING/TERMINATION**

	<i>solder lug (end)</i>	<i>solder lug (bottom)</i>	<i>screw terminals</i>	<i>wire leads</i>
<b>Single Pole</b>				
<b>3A 250V, 6A 125V</b>				
OFF-ON	110-P	110-BP	110-SP	111-16-P
OFF-(ON)	110-PM-OFF	110-PBM-OFF	110-SPM-OFF	111-PM-OFF
ON-(OFF)	110-PM-ON	110-PBM-ON	110-SPM-ON	111-PM-ON
<b>5A 250V, 10A 125V, 1/4 HP 125V</b>				
OFF-ON	160H-P	160H-BP	160H-SP	160H-AP
<b>1A 250V, 3A 125V</b>				
ON-ON	112-P	-	-	112-PA
ON-(ON)	112-PM	-	-	112-PAM
<b>Double Pole</b>				
<b>1A 250V, 3A 125V</b>				
OFF-ON	216-PP	-	-	216-PPA
OFF-(ON)	216-PM-OFF	-	-	216-PAM-OFF
ON-(OFF)	216-PM-ON	-	-	216-PAM-ON
ON-ON	316-PP	316-B-PP	-	316-PPA
ON-(ON)	316-PM	316-B-PM	-	316-PAM
1 ON - 1 OFF (2 circuit)	516-PP	-	-	516-PPA
1 (ON) - 1 (OFF) (2 circuit)	516-PM	-	-	516-PAM

NOTES  
 ( ) Indicates momentary function.