

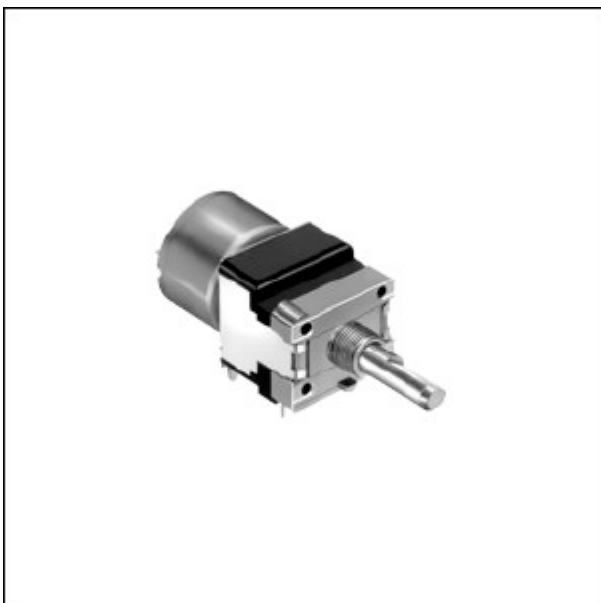


16mm Size Motor-driven Type RK168 Series

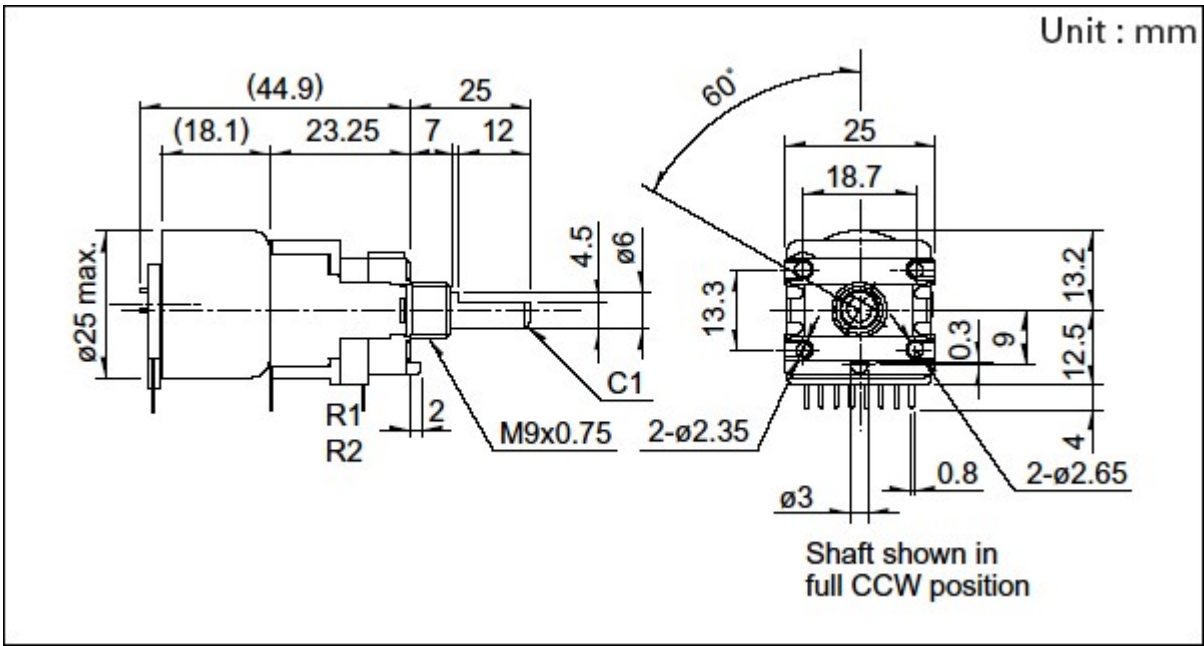
Part number	RK16812MG099	
Number of resistor elements	Dual-unit	
Mounting direction	Horizontal type	
Fixing method of bushing	Screw	
Shaft types	Flat	
Length of the shaft	25mm	
Total resistance	100k Ω	
Resistance taper	3B	
Motor print terminal	With	
Motor voltage	4 to 6V DC (standard: 4.5V)	
Potentiometer rotational speed	12 \pm 3 sec/300 $^\circ$ (4.5V DC)	
Maximum operating current	At rotation: 100mA/At end slip: 150mA	
Operating temperature range	-10 $^\circ$ C to +70 $^\circ$ C	
Electrical Performance	Total resistance tolerance	\pm 20%
	Rated power	0.05W
	Maximum operating voltage	50V AC
	Maximum attenuation	100dB min.
	Gang error	-60dB to 40dB 5dB max. -40dB to 0dB 3dB max.
	Insulation resistance	100M Ω min. 250V DC
	Voltage proof	300V AC for 1 minute

Mechanical Performance	Total rotational angle	300°±5°
	Rotational torque	10 to 40mN·m
	Stopper strength	0.9N·m
	Push-pull strength	100N max.
	Vibration	10 to 55 to 10Hz/min., the amplitude is 1.5mm for all the frequencies, in the 3 direction of X, Y and Z and for 2 hours respectively
Durability	Operating life	15,000 cycles
Minimum order unit (pcs.)	Japan	200
	Export	200

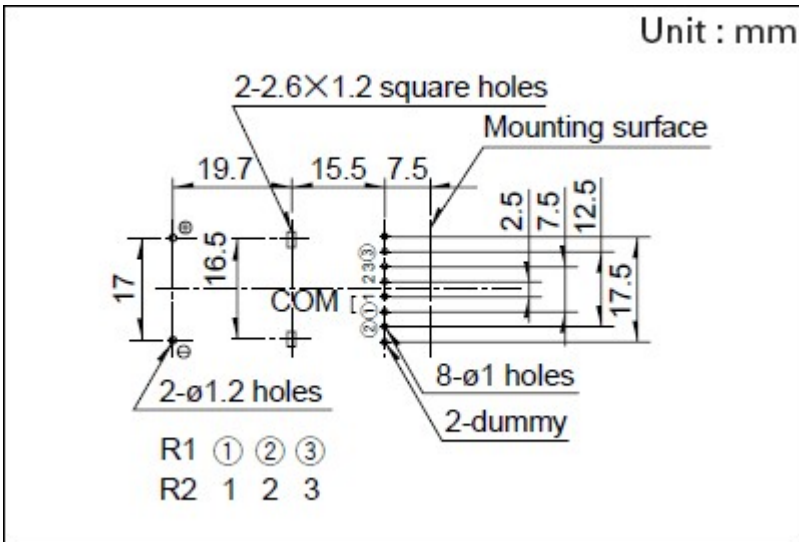
Photo



Dimensions

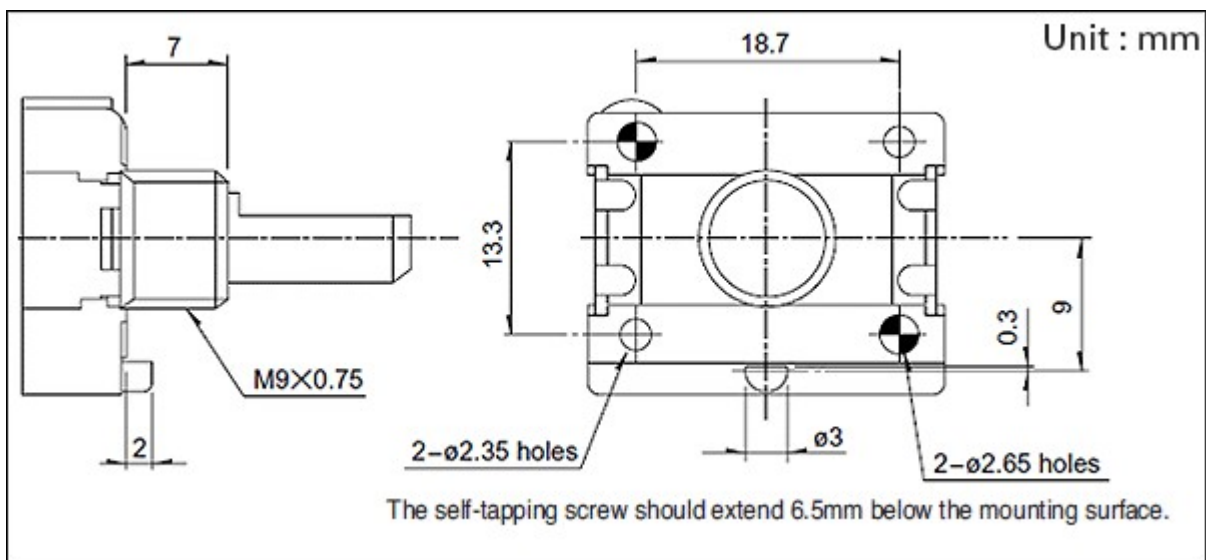


Mounting Hole Dimensions

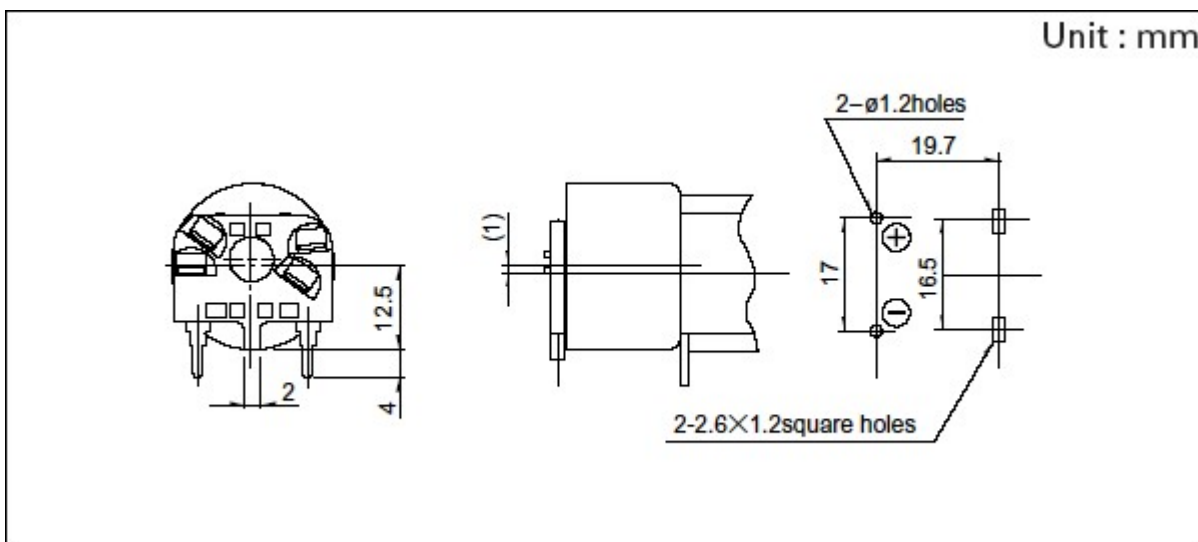


Viewed from mounting side.

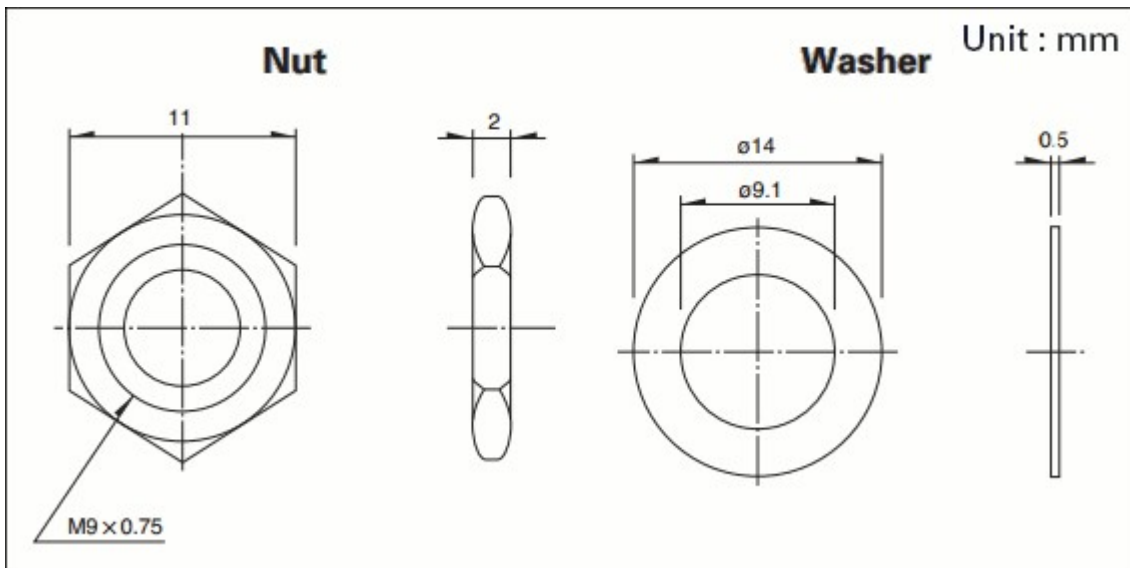
Standard Dimensions of Bushing and Fixing Lug



Style of Printed Terminal for Motor



Attached Parts



These parts are attached to the following products.

Packing Specifications

Tray

Number of packages (pcs.)	1 case / Japan	200
------------------------------	----------------	-----

	1 case / export packing	200
--	----------------------------	-----

Export package measurements (mm)	368×527×215
----------------------------------	-------------

Soldering Conditions

Reference for Hand Soldering

Tip temperature	350°C max.
-----------------	------------

Soldering time	2s max.
----------------	---------

No. of solders	1 time
----------------	--------

Notes are common to this series/models.

1. This site catalog shows only outline specifications. When using the products, please obtain formal specifications for supply.
2. Please place purchase orders per minimum order unit (integer).
3. Products other than those listed in above products are also available. Please contact us for details.